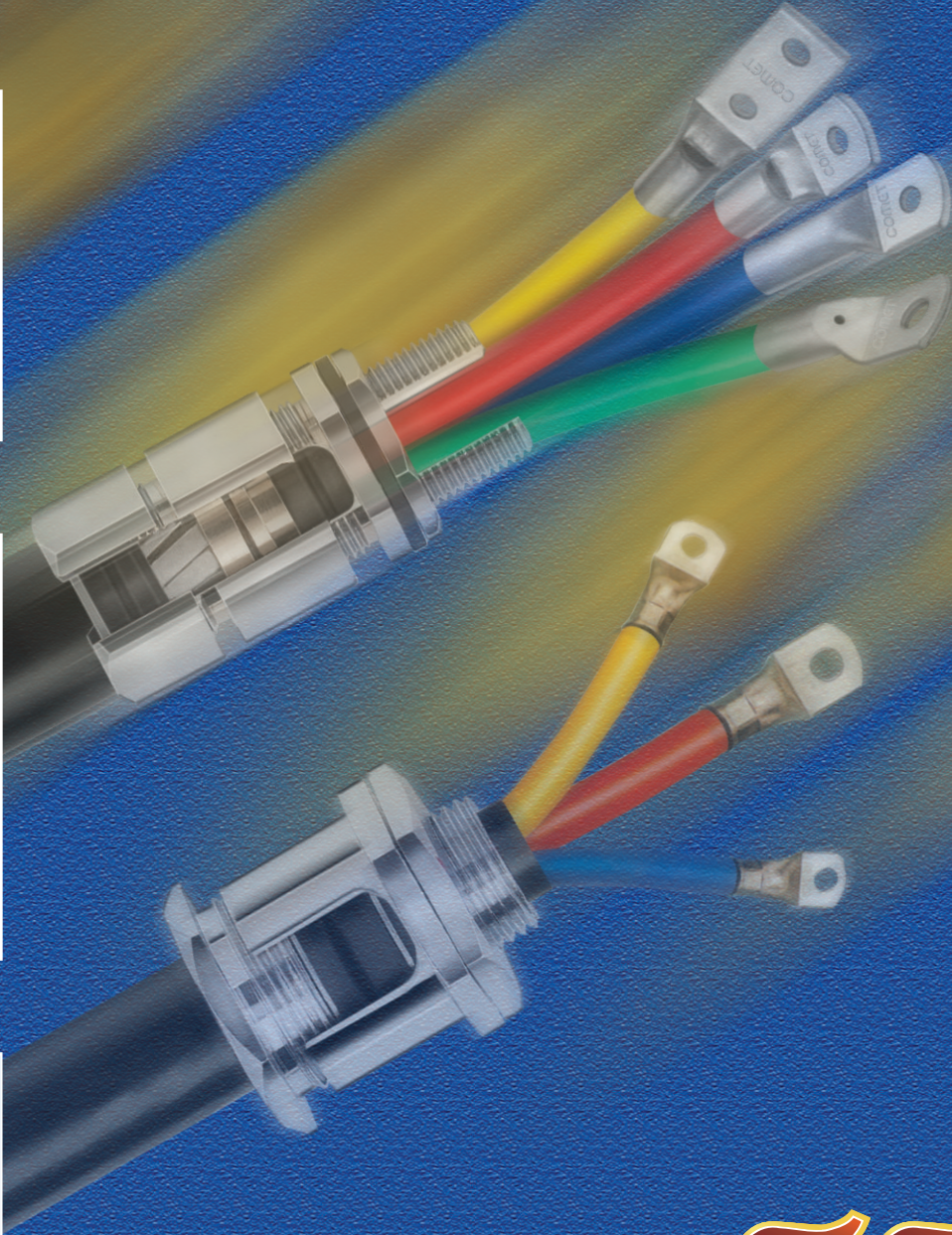


COMET®

An uninterrupted relationship since 1960

CABLE GLANDS



An uninterrupted relationship since 1960

After serving the electrical industry for 5 decades, **COMET** has traveled a long way. The metamorphosis is from a small manufacturer of cable glands to a leader in the manufacture of not only Cable Glands but also of Terminals and Connectors. It has surged across the horizon of India's electrical industry.

To meet the demands of this high-precision sector, **COMET** has perfected the art of excellence. The brand has evolved around a strong determination to achieve the highest standards of quality. Backed by meticulous research and techno-savvy innovation, **COMET** connects as the OEM product of prestigious electrical brands.

Our motto is to provide innovative products concentrating solely on quality, which has been endorsed by our valued customers, who approve of **COMET** for their regular supplies. We take this opportunity to thank all our customers for their unflinching support and reiterate our commitment of uncompromising quality. Our continuous upgrading and rigorous pursuit at each and every stage ensures the best product by our dedicated designing team.

Like in the past, your valued suggestions and feedback had been sincerely accepted and successfully implemented wherever possible and the same zest is anticipated. This would help in our rigorous pursuit of excellence.



V. S. DEDHIA
CHAIRMAN



Classification

Cable Glands are classified according to the type

- a. Single compression
- b. Double compression
 1. Weatherproof - Armored / Un-armored
 2. Flameproof suitable for Gas Group I, IIA & IIB - Armored / Un-armored
 3. Flameproof suitable for Gas Group IIC - Armored / Un-armored

Selection guidelines for cable glands

- determine condition of use, i.e. industrial, hazardous area.
- determine environment conditions.
- determine type of cable, armoured or non-armoured.
- determine type of armour and thickness, where applicable.
- determine cable overall diameter.
- determine entry hole type and size

Gland Design

COMET gland design and testing philosophy on the performance requirements of BS 6121 : 2005 (BS EN 50262) & IP67 as per IS 13947 (Part I), adding any criteria necessary to meet particular specification.

Hazardous area glands - Approvals

COMET flameproof glands are approved by CIMFR - Dhanbad, DGFASLI, CCOE - NAGPUR. Suitable for - GAS I, IIA, IIB & IIC. Specific details are available upon request.

Materials

Glands are manufactured as standard in BRASS. Alternative material includes ALUMINIUM, S.S & M.S

Finishes

Brass glands are generally supplied with NICKEL finish and can be supplied with variety of finishes, e.g. CHROME, TIN or CADNIUM. Further details are available upon request.

Entry threads

Glands are supplied with B.S.C. threads (ET). Other entry thread forms available are - NPT, PG, PF, BSP METRIC etc.

How to order

Select appropriate gland from the relevant table by checking the ACTUAL cable dimensions or referring to the SPECIFIED cable.

Dimensions

Alternatively if you would prefer us to recommend a gland to meet your requirement, please quote :

Full cable description and dimensions or cable specification and conductor size, gland reference.

Entry thread required if other than BSC.

Accessories

Accessories e.g. shroud, earth tags are supplied separately and should be specified when ordering the gland.

WIDEST APPROVALS



POWER GRID CORPORATION OF INDIA LIMITED
(A Government of India Enterprise)



TCE Consulting Engineers Limited



NUCLEAR POWER CORPORATION OF INDIA LIMITED
(A Govt. of India Enterprise)



JACOBS H&G



Bechtel France SA



Dalal Consultants And Engineers Pvt. Ltd

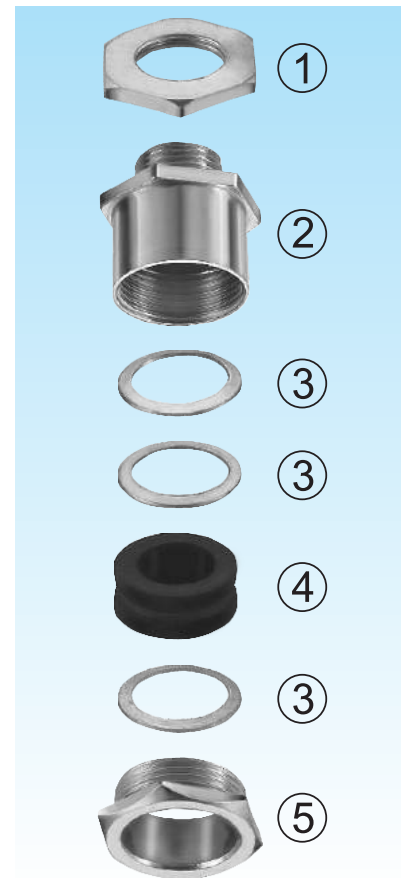
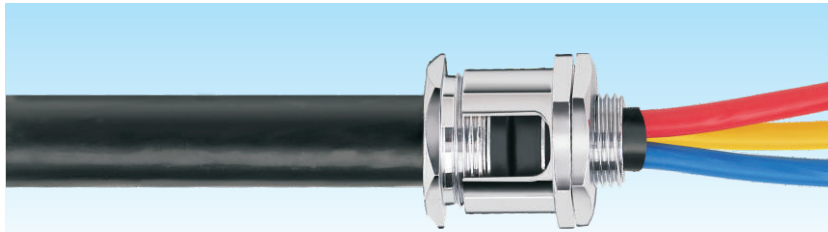


AVANT-GARDE ENGINEERS AND CONSULTANTS (P.) LTD.

KSHI

JHOHN BROWN

AND MANY MORE



Application :

For use under most climatic conditions and generally for indoor use. These are Weather proof and may be used in the corrosive condition when protected by a shroud.

Technical Data

Materials & Finishes :

M. O. C :

- a. Cable Gland is manufactured in Brass (standard).
- b. Alternative material - Stainless Steel / Aluminium.

Sealing Ring : Natural Rubber

Thread :

- a. Glands are supplied with B.S.C. thread (ET) as standard.
- b. Alternative thread forms available are - NPT / PG / BSP / MM etc.

Finish :

- a. Nickel Plated (standard)
- b. Alternative Plating - Tin / Cadmium / Chrome

Protection Class: IP 60

Ref. Standard : IS 12943

Specifications :

Gland consist of checknut 1, gland body 2, metal washers (3 Nos.) 3, outer seal rubber ring 4, compression nut 5, All metal parts are made of brass accurately machined for ease of assembly (except item 3).

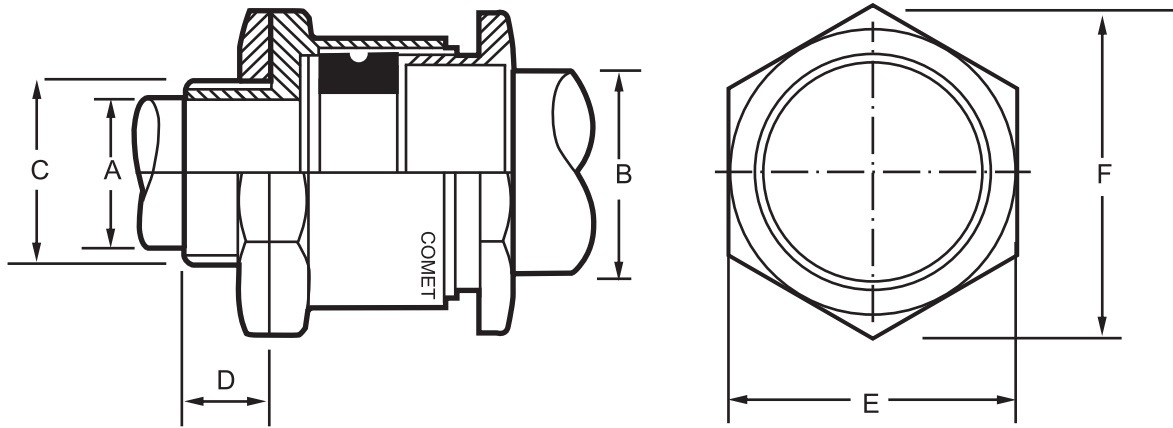
Accessories :

Shrouds and Earth tags are supplied separately and should be specified when ordering the gland.

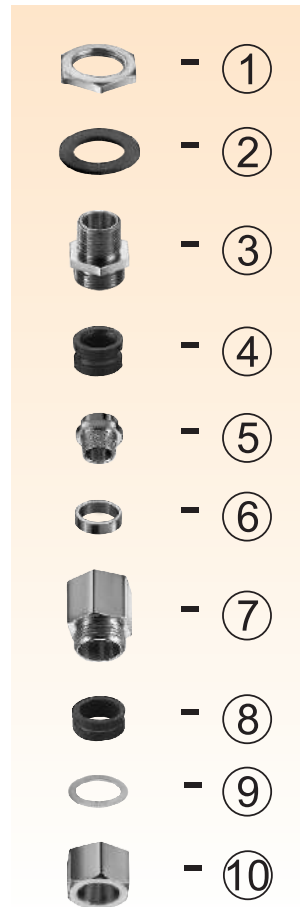
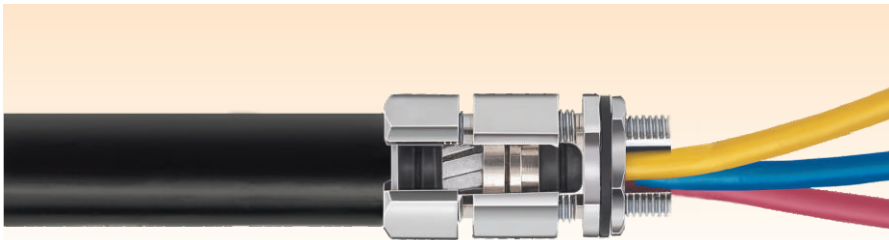
Fitting sequence :

- 1) Pass item 5, item 3 and item 4 over cable before commencing to strip over sheath.
- 2) Remove the outer sheath to the desired length depending on the length of leads required.
- 3) Pass item 3 over the cable and splay out the armour wire one by one and then cut the armour wires according to the size of washer. Insert the third metal washer over inner sheath of cable so that bend armour are secured between the two metal washers.
- 4) Push the cable through item 2 and engage the item 5 with item 2 and tighten up while doing, so the grooved rubber ring will contract in radial direction and will grip the outer sheath of cable.
- 5) Screw item 2 into apparatus (secure with item 1 if plain hole entry.)

COMET Single Compression Type Heavy Duty Cable Gland (SIBG Series)



Cable Dimensions			Gland Dimensions			
SIBG SERIES	A (Under armour Dia) mm	B (Over all Dia) mm	Entry Thread		E (Across Flat) mm	F (Across Corner) mm
			C (Inches)	D (Length) mm		
1616	9.0	15.0	5/8"	8.5	25.0	29.0
1619	10.0	15.0	3/4"	8.5	25.0	29.0
2119	14.0	20.0	3/4"	9.5	30.5	35.0
2125	14.0	20.0	1"	9.5	30.5	35.0
2925	20.0	26.0	1"	10.0	40.0	46.0
2932	24.0	29.0	1.1/4"	10.0	40.0	46.0
2938	24.0	29.0	1.1/2"	10.0	40.0	46.0
3638	31.0	37.0	1.1/2"	11.0	49.0	56.0
4251	36.0	42.0	2"	11.0	60.0	68.0
5451	44.0	50.0	2"	12.0	67.0	77.0
5463	44.0	50.0	2.1/2"	12.0	67.0	77.0
6063	54.0	60.0	2.1/2"	12.0	78.0	88.0
6675	60.0	66.0	3"	13.0	84.0	96.0
7882	70.0	77.0	3.1/4"	14.0	98.0	112.0



Application :

For use under most climatic conditions & generally for armored cables & outdoor use. These are Weather proof and may be used in the corrosive condition when protected by a shroud.

Technical Data

Materials & Finishes :

M. O. C :

- a. Cable Gland is manufactured in Brass (standard).
- b. Alternative material - Stainless Steel / Aluminium.

Sealing Ring : Neoprene Rubber

Thread :

- a. Glands are supplied with B.S.C. thread (ET) as standard.
- b. Alternative thread forms available are - NPT / PG / BSP / MM etc.

Finish :

- a. Nickel Plated (standard)
- b. Alternative Plating - Tin / Cadmium / Chrome

Protection Class: IP 66 as per IEC 60529:1999

Ref. Standard : BS 6121 : 2005 (BS EN 50262)

Accessories

Shrouds and Earth tags are supplied separately and should be specified when ordering the gland.

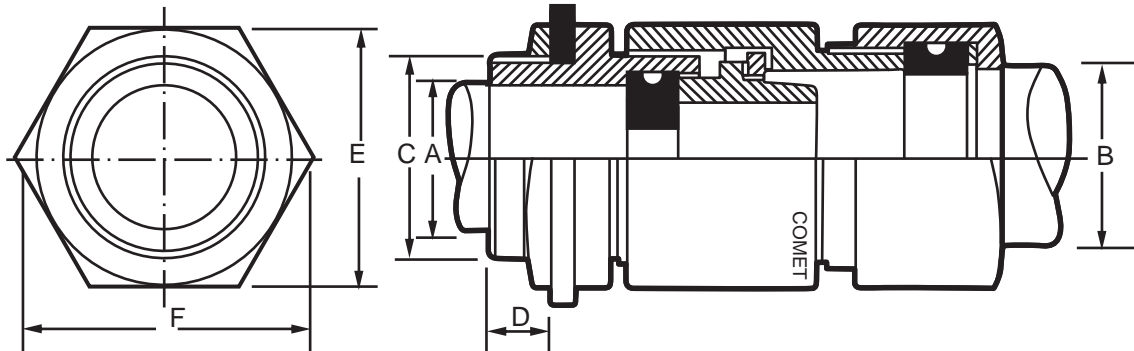
Specifications :

Gland consist of locknut 1, washer 2, armour clamping nut 3, neoprene inner ring 4, armour clamping cone 5, armour clamping ring 6, gland body 7, neoprene outer ring 8, skid washer 9 & outer seal nut 10, All metal parts are made of brass accurately machined for ease of assembly.

Fitting sequence

- 1) Pass item 10,9,8,7 respectively over cable before commencing to strip oversheath.
- 2) Remove the outer sheath and pass item 6 over exposed armour.
- 3) Cut armour to length, lift wire ends, pass item 5 over exposed bedding, and beneath armour.
- 4) Pass item 4.
- 5) Pass cable end through item 3.
- 6) Engage item 7 and 3 and tighten up.
- 7) Engage item 10 and 7 and tighten up.
- 8) Screw item 3, 2 into apparatus (secure with item 1 if plain hole entry.)

COMET Weatherproof Type Double Compression Cable Gland Suitable For Armoured Cables



Cable Dimensions				Gland Dimensions				
CBW SERIES	A (Under armour Dia) mm	B (Over all Dia) mm	Armour diameter mm	Entry Thread		D (Length) mm	E (Across Flat) mm	F (Across Corner) mm
				C (ET)	(MM)			
CBW01SS	8.0	12.0	0.8/1.4	3/4"	M20	15.0	21.5	24.5
CBW01S	11.0	16.5	0.8/1.4	3/4"	M20	15.0	25.0	29.0
CBW01	12.0	18.0	0.8/1.4	3/4"	M20	15.0	28.0	32.0
CBW01A	12.0	18.0	0.8/1.4	1"	M25	15.0	28.0	32.0
CBW02	14.0	20.0	0.8/1.4	1"	M25	15.0	31.5	36.5
CBW02A	14.0	20.0	0.8/1.4	3/4"	M20	15.0	31.5	36.5
CBW03	17.0	23.0	0.8/1.4	1"	M25	15.0	32.0	37.0
CBW04	20.0	26.0	0.8/1.4	1"	M25	15.0	38.0	44.0
CBW04A	20.0	26.0	0.8/1.4	1.1/4"	M32	15.0	38.0	44.0
CBW05	24.0	30.0	0.8/1.4	1.1/4"	M32	15.0	41.0	47.0
CBW05A	24.0	30.0	0.8/1.4	1.1/2"	M40	15.0	41.0	47.0
CBW06	27.0	33.0	0.8/1.4	1.1/2"	M40	15.0	47.0	54.0
CBW06A	27.0	33.0	0.8/1.4	1.1/4"	M32	15.0	47.0	54.0
CBW07	30.0	37.0	0.8/1.4	1.1/2"	M40	15.0	52.0	58.0
CBW08	35.0	41.0	0.8/1.4	2"	M50	15.0	56.0	64.0
CBW09	40.0	46.0	0.8/1.4	2"	M50	15.0	59.0	67.0
CBW010	46.0	52.0	0.8/1.4	2"	M50	20.0	66.5	77.0
CBW010A	46.0	52.0	0.8/1.4	2.1/2"	M63	20.0	66.5	77.0
CBW011S	50.0	56.0	0.8/1.4	2.1/2"	M63	20.0	74.0	85.0
CBW011	54.0	60.0	0.8/1.4	2.1/2"	M63	20.0	80.0	92.0
CBW012	60.0	66.0	0.8/1.4	3"	M75	20.0	85.0	97.0
CBW013A	66.0	72.0	0.8/1.4	3"	M75	20.0	90.0	103.0
CBW013	72.0	78.0	0.8/1.4	3.1/4"	M82	20.0	99.0	113.0
CBW014	78.0	84.0	0.8/1.4	3.1/2"	M90	20.0	105.0	122.0
CBW015	88.0	94.0	0.8/1.4	4"	M100	20.0	117.0	135.0
CBW016	98.0	105.0	0.8/1.4	4.1/2"	M110	20.0	130.0	149.0



Application :

For use under most climatic conditions & generally for un-armoured cables & outdoor use. These are Weather proof and may be used in the corrosive condition when protected by a shroud.

Technical Data

Materials & Finishes :

M. O. C :

- a. Cable Gland is manufactured in Brass (standard).
- b. Alternative material - Stainless Steel / Aluminium.

Sealing Ring : Neoprene Rubber

Thread :

- a. Glands are supplied with B.S.C. thread (ET) as standard.
- b. Alternative thread forms available are - NPT / PG / BSP / MM etc.

Finish :

- a. Nickel Plated (standard)
- b. Alternative Plating - Tin / Cadmium / Chrome

Protection Class: IP 55 as per IEC 60529:1999

Ref. Standard : BS 6121 : 2005 (BS EN 50262)

Accessories

Shrouds and Earth tags are supplied separately and should be specified when ordering the gland.

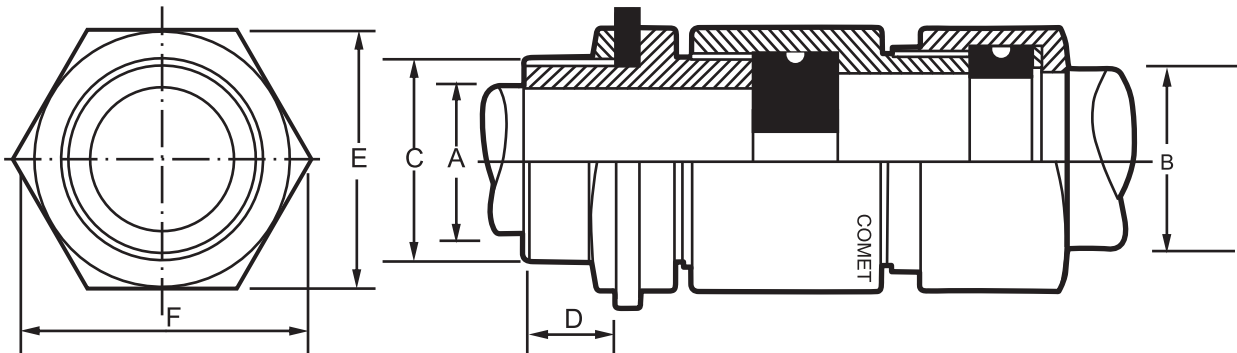
Specification :

Gland consist of locknut 1, washer 2, armour clamping nut 3, neoprene inner ring 4, gland body 5, neoprene outer ring 6, skid washer 7 & outer seal nut 8. All metal parts are made of brass accurately machined for ease of assembly.

Fitting sequence

- 1) Pass item 8,7,6,5,4 & 3 respectively over cable.
- 2) Engage item 5 and 3 and tighten up.
- 3) Engage item 8 and 5 and tighten up.
- 4) Screw item 3, 2 into apparatus (secure with item 1 if plain hole entry.)

COMET Weatherproof Type Double Compression Cable Gland Suitable For Un-Armoured Cables



Cable Dimensions			Gland Dimensions			
CBW SERIES	A (Dia) mm	B (Dia) mm	Entry Thread		E (Across Flat) mm	F (Across Corner) mm
			C (Inches)	D (Length) mm		
CBW01SS (UN)	13.0	13.0	3/4"	15.0	21.5	24.5
CBW01S (UN)	14.5	14.5	3/4"	15.0	25.0	29.0
CBW01A (UN)	18.0	18.0	1"	15.0	28.0	32.0
CBW02 (UN)	20.0	20.0	1"	15.0	31.5	36.5
CBW03SP (UN)	23.0	23.0	M28	15.0	32.0	37.0
CBW04A (UN)	26.0	26.0	1.1/4"	15.0	38.0	44.0
CBW05A (UN)	30.0	30.0	1.1/2"	15.0	41.0	47.0
CBW06SP (UN)	33.0	33.0	M40	15.0	47.0	54.0
CBW07SP (UN)	36.0	36.0	M42	15.0	52.0	58.0
CBW08 (UN)	41.0	41.0	2"	15.0	56.0	64.0
CBW09 (UN)	44.0	44.0	2"	15.0	59.0	67.0
CBW010A (UN)	52.0	52.0	2"	20.0	66.5	77.0
CBW011SP (UN)	60.0	60.0	M70	20.0	80.0	92.0
CBW012 (UN)	66.0	66.0	3"	20.0	85.0	97.0
CBW013 (UN)	72.0	72.0	3.1/4"	20.0	90.0	103.0
CBW014 (UN)	80.0	80.0	3.1/2"	20.0	105.0	122.0
CBW015 (UN)	90.0	90.0	4"	20.0	117.0	135.0



Application :

For use under hazardous climatic conditions & generally for armored cables & outdoor use. These are weatherproof & may be used in the corrosive conditions when protected by a shroud.

Technical Data

Materials & Finishes :

M. O. C :

- a. Cable Gland is manufactured in Brass (standard).
- b. Alternative material - Stainless Steel / Aluminium.

Sealing Ring : Neoprene Rubber

Thread :

- a. Glands are supplied with B.S.C. thread (ET) as standard.
- b. Alternative thread forms available are - NPT / PG / BSP / MM etc.

Finish :

- a. Nickel Plated (standard)
- b. Alternative Plating - Tin / Cadmium / Chrome

Protection Class: IP 66 as per IEC 60529:1999

Ref. Standard : IEC 60079-1:2007,
IEC 60079-0:2004

Approvals :

COMET flameproof glands are approved by Central Mining Research Institute, Dhanbad. (Approved by CIMFR, PESO/ CCOE - NAGPUR)

Specification :

Gland consist of lock nut 1, washer 2, armour clamping nut 3, neoprene inner ring 4, armour clamping cone 5, armour clamping ring 6, gland body 7, neoprene outer ring 8, skid washer 9 & outer seal nut 10. All metal parts are made of brass accurately machined for ease of assembly.

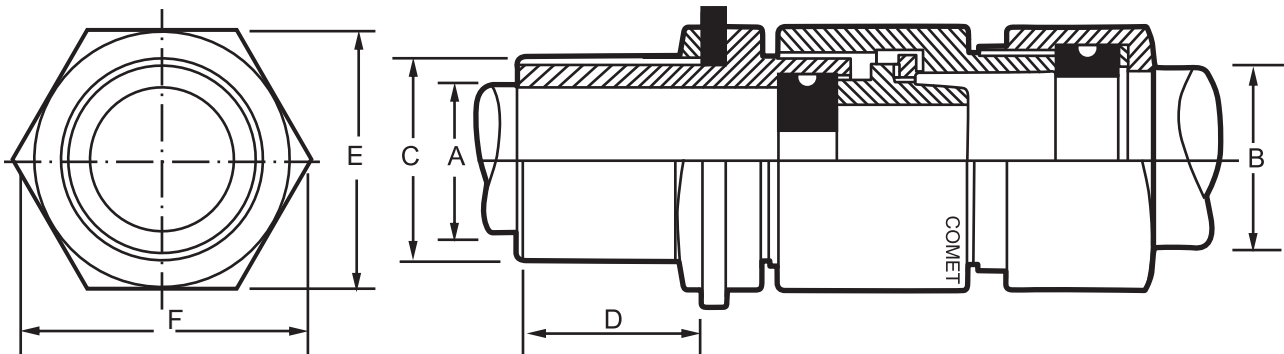
Accessories

Shrouds and Earth tags are supplied separately and should be specified when ordering the gland.

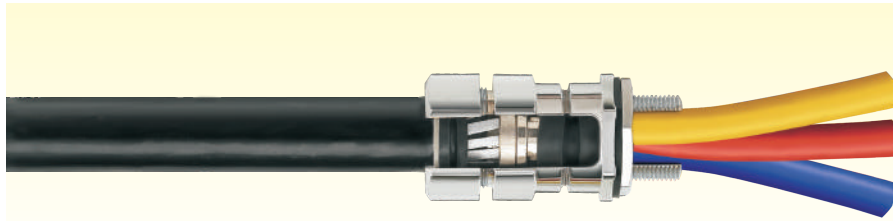
Fitting sequence

- 1) Pass item 10,9,8,7 respectively over cable before commencing to strip oversheath.
- 2) Remove the oversheath and pass item 6 over exposed armour.
- 3) Cut armour to length, lift wire ends, pass item 5 over exposed bedding, and beneath armour.
- 4) Pass item 4.
- 5) Pass cable end through item 3.
- 6) Engage item 7 and 3 and tighten up.
- 7) Engage item 10 and 7 and tighten up.
- 8) Screw item 3, 2 into apparatus (secure with item 1 if plain hole entry.)

COMET Flamerproof Type Double Compression Cable Gland Suitable For Armoured Cables For Gas Group IIA / IIB



Cable Dimensions				Gland Dimensions				
CBF SERIES	A (Under armour Dia) mm	B (Over all Dia) mm	Armour diameter	Entry Thread		D (Length) mm	E (Across Flat) mm	F (Across Corner) mm
				C (ET)	(MM)			
CBF01SS	8.0	13.0	0.8/1.4	3/4"	M20	25.0	21.5	24.5
CBF01S	11.0	16.5	0.8/1.4	3/4"	M20	25.0	25.0	29.0
CBF01	12.0	18.0	0.8/1.4	3/4"	M20	25.0	28.0	32.0
CBF01A	12.0	18.0	0.8/1.4	1"	M25	25.0	28.0	32.0
CBF02	14.0	20.0	0.8/1.4	1"	M25	25.0	31.5	36.5
CBF02A	14.0	20.0	0.8/1.4	3/4"	M20	25.0	31.5	36.5
CBF03	17.0	23.0	0.8/1.4	1"	M25	25.0	32.0	37.0
CBF04	20.0	26.0	0.8/1.4	1"	M25	25.0	38.0	44.0
CBF04A	20.0	26.0	0.8/1.4	1.1/4"	M32	25.0	38.0	44.0
CBF05	24.0	30.0	0.8/1.4	1.1/4"	M32	25.0	41.0	47.0
CBF05A	24.0	30.0	0.8/1.4	1.1/2"	M40	25.0	41.0	47.0
CBF06	27.0	33.0	0.8/1.4	1.1/2"	M40	25.0	47.0	54.0
CBF06A	27.0	33.0	0.8/1.4	1.1/4"	M32	25.0	47.0	54.0
CBF07	30.0	37.0	0.8/1.4	1.1/2"	M40	25.0	52.0	58.0
CBF08	35.0	41.0	0.8/1.4	2"	M50	25.0	56.0	64.0
CBF09	40.0	46.0	0.8/1.4	2"	M50	25.0	59.0	67.0
CBF010	46.0	52.0	0.8/1.4	2"	M50	25.0	66.5	77.0
CBF010A	46.0	52.0	0.8/1.4	2.1/2"	M63	25.0	66.5	77.0
CBF011S	50.0	56.0	0.8/1.4	2.1/2"	M63	25.0	74.0	85.0
CBF011	54.0	60.0	0.8/1.4	2.1/2"	M63	25.0	80.0	92.0
CBF012	60.0	66.0	0.8/1.4	3"	M75	25.0	85.0	97.0
CBF013A	66.0	72.0	0.8/1.4	3"	M75	25.0	90.0	103.0
CBF013	72.0	78.0	0.8/1.4	3.1/4"	M82	25.0	99.0	113.0
CBF014	78.0	84.0	0.8/1.4	3.1/2"	M90	25.0	105.0	122.0
CBF015	88.0	94.0	0.8/1.4	4"	M100	25.0	117.0	135.0
CBF016	98.0	105.0	0.8/1.4	4.1/2"	M110	25.0	130.0	149.0



Application :

For use under hazardous climatic conditions & generally for armored cables & outdoor use. These are weatherproof & may be used in the corrosive conditions when protected by a shroud.

Technical Data

Materials & Finishes :

M. O. C :

- a. Cable Gland is manufactured in Brass (standard).
- b. Alternative material - Stainless Steel / Aluminium.

Sealing Ring : Neoprene Rubber

Thread :

- a. Glands are supplied with B.S.C. thread (ET) as standard.
- b. Alternative thread forms available are - NPT / PG / BSP / MM etc.

Finish :

- a. Nickel Plated (standard)
- b. Alternative Plating - Tin / Cadmium / Chrome

Protection Class: IP 66 as per IEC 60529:1999

Ref. Standard : IEC 60079-1:2007,
IEC 60079-0:2004

Approval

COMET flameproof glands are approved by Central Mining Research Institute, Dhanbad. (Approved by CIMFR, BIS, PESO/CCOE-NAGPUR)

Specification :

Gland consist of lock nut 1, washer 2, armour clamping nut 3, neoprene inner ring 4, armour clamping cone 5, armour clamping ring 6, gland body 7, neoprene outer ring 8, skid washer 9 & outer seal nut 10. All metal parts are made of brass accurately machined for ease of assembly.

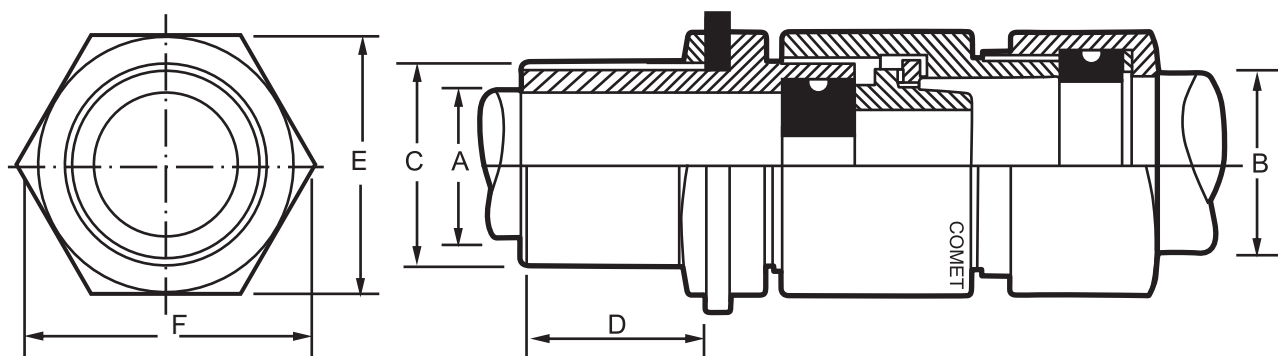
Accessories

Shrouds and Earth tags are supplied separately and should be specified when ordering the gland.

Fitting sequence

- 1) Pass item 10,9,8,7 respectively over cable before commencing to strip oversheath.
- 2) Remove the oversheath and pass item 6 over exposed armour.
- 3) Cut armour to length, lift wire ends, pass item 5 over exposed bedding, and beneath armour.
- 4) Pass item 4.
- 5) Pass cable end through item 3.
- 6) Engage item 7 and 3 and tighten up.
- 7) Engage item 10 and 7 and tighten up.
- 8) Screw item 3, 2 into apparatus (secure with item 1 if plain hole entry.)

COMET Flameproof Type Double Compression Cable Gland Suitable For Armoured Cables For Gas Group IIC



Cable Dimensions				Gland Dimensions				
CBFIIC SERIES	A (Under armour Dia) mm	B (Over all Dia) mm	Armour diameter	Entry Thread		E (Across Flat) mm	F (Across Corner) mm	
				C (ET)	D (Length) mm			
CBFIIC01SS	8.0	13.0	0.8/1.4	3/4"	M20	25.0	21.5	24.5
CBFIIC01S	11.0	16.5	0.8/1.4	3/4"	M20	25.0	25.0	29.0
CBFIIC01	12.0	18.0	0.8/1.4	3/4"	M20	25.0	28.0	32.0
CBFIIC01A	12.0	18.0	0.8/1.4	1"	M25	25.0	28.0	32.0
CBFIIC02	14.0	20.0	0.8/1.4	1"	M25	25.0	31.5	36.5
CBFIIC02A	14.0	20.0	0.8/1.4	3/4"	M20	25.0	31.5	36.5
CBFIIC03	17.0	23.0	0.8/1.4	1"	M25	25.0	32.0	37.0
CBFIIC04	20.0	26.0	0.8/1.4	1"	M25	25.0	38.0	44.0
CBFIIC04A	20.0	26.0	0.8/1.4	1.1/4"	M32	25.0	38.0	44.0
CBFIIC05	24.0	30.0	0.8/1.4	1.1/4"	M32	25.0	41.0	47.0
CBFIIC05A	24.0	30.0	0.8/1.4	1.1/2"	M40	25.0	41.0	47.0
CBFIIC06	27.0	33.0	0.8/1.4	1.1/2"	M40	25.0	47.0	54.0
CBFIIC06A	27.0	33.0	0.8/1.4	1.1/4"	M32	25.0	47.0	54.0
CBFIIC07	30.0	37.0	0.8/1.4	1.1/2"	M40	25.0	52.0	58.0
CBFIIC08	35.0	41.0	0.8/1.4	2"	M50	25.0	56.0	64.0
CBFIIC09	40.0	46.0	0.8/1.4	2"	M50	25.0	59.0	67.0
CBFIIC010	46.0	52.0	0.8/1.4	2"	M50	25.0	66.5	77.0
CBFIIC010A	46.0	52.0	0.8/1.4	2.1/2"	M63	25.0	66.5	77.0
CBFIIC011S	50.0	56.0	0.8/1.4	2.1/2"	M63	25.0	74.0	85.0
CBFIIC011	54.0	60.0	0.8/1.4	2.1/2"	M63	25.0	80.0	92.0
CBFIIC012	60.0	66.0	0.8/1.4	3"	M75	25.0	85.0	97.0
CBFIIC013A	66.0	72.0	0.8/1.4	3"	M75	25.0	90.0	103.0
CBFIIC013	72.0	78.0	0.8/1.4	3.1/4"	M82	25.0	99.0	113.0
CBFIIC014	78.0	84.0	0.8/1.4	3.1/2"	M90	25.0	105.0	122.0
CBFIIC015	88.0	94.0	0.8/1.4	4"	M100	25.0	117.0	135.0
CBFIIC016	98.0	105.0	0.8/1.4	4.1/2"	M110	25.0	130.0	149.0



Technical Data

Material : Nylon (Polyamide)
 Finish : White / Grey / Black colour
 Application : Generally for flexible cables

PG THREAD

Cable Range (mm)	Size	Panel Hole Dia.
3.0 - 6.5	PG 7	13.0
4.0 - 8.0	PG 9	16.0
5.0 - 10.0	PG 11	19.0
6.0 - 12.0	PG 13.5	21.0
10.0 - 14.0	PG 16	23.0
13.0 - 18.0	PG 21	29.0
18.0 - 25.0	PG 29	38.0
22.0 - 32.0	PG 36	48.0
30.0 - 38.0	PG 42	55.0
34.0 - 44.0	PG 48	60.0

MM THREAD

Cable Range (mm)	Size	Panel Hole Dia.
3.0 - 6.5	M12	13.0
4.0 - 8.0	M16	17.0
5.0 - 12.0	M20	21.0
10.0 - 18.0	M25	26.5
16.0 - 25.0	M32	34.0
22.0 - 32.0	M40	42.0
30.0 - 36.0	M50	52.0
34.0 - 45.0	M63	65.0

COMET WEATHERPROOF TYPE STOPPING PLUGS

Materials & Finishes :

- M. O. C** : a. Brass (standard).
b. Alternative material - Stainless Steel / Aluminium.
- Thread** : a. B.S.C. thread (ET) as standard.
b. Alternative thread forms available are - NPT / PG / BSP / MM etc.
- Finish** : a. Nickel Plated (standard)
b. Alternative Plating - Tin / Cadmium / Chrome
- Range** : 1/2" to 4" or M12 to M100
- Application** : To close any unused entries.



COMET FLAMEPROOF TYPE STOPPING PLUGS SUITABLE FOR GAS GROUP II A, II B & II C

Materials & Finishes :

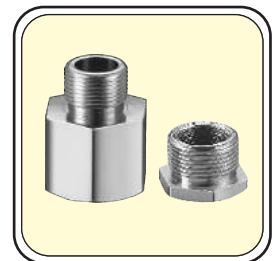
- M. O. C** : a. Brass (standard).
b. Alternative material - Stainless Steel / Aluminium.
- Thread** : a. B.S.C. thread (ET) as standard.
b. Alternative thread forms available are - NPT / PG / BSP / MM etc.
- Finish** : a. Nickel Plated (standard)
b. Alternative Plating - Tin / Cadmium / Chrome
- Range** : 1/2" to 4" or M12 to M100
- Application** : To close any unused entries.



COMET WEATHERPROOF TYPE REDUCER / ADAPTOR

Materials & Finishes :

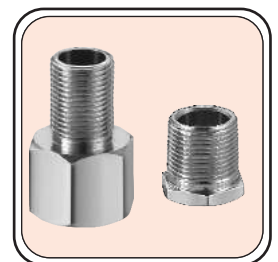
- M. O. C** : a. Brass (standard).
b. Alternative material - Stainless Steel / Aluminium.
- Thread** : a. B.S.C. thread (ET) as standard.
b. Alternative thread forms available are - NPT / PG / BSP / MM etc.
- Finish** : a. Nickel Plated (standard)
b. Alternative Plating - Tin / Cadmium / Chrome
- Range** : 1/2" to 4" or M12 to M100
- Application** : Used when enclosures entry is different from gland entry.



COMET FLAMEPROOF TYPE REDUCER / ADAPTOR SUITABLE FOR GAS GROUP II A, II B & II C

Materials & Finishes :

- M. O. C** : a. Brass (standard).
b. Alternative material - Stainless Steel / Aluminium.
- Thread** : a. B.S.C. thread (ET) as standard.
b. Alternative thread forms available are - NPT / PG / BSP / MM etc.
- Finish** : a. Nickel Plated (standard)
b. Alternative Plating - Tin / Cadmium / Chrome
- Range** : 1/2" to 4" or M12 to M100
- Application** : Used when enclosures entry is different from gland entry.



COMET SHROUDS

- M. O. C** : PVC / LSF / FRLS
- Application** : For protecting the gland from climatic conditions.



COMET EARTH TAG

- M. O. C** : Brass / SS / Aluminum
- Application** : For earthing purpose.



COMET BW TYPE CABLE GLANDS

Materials & Finishes :

- M. O. C** : Brass
- Finish** : Natural
- Range** : 20mm to 90mm
- Ref. Standard** : BS - 6121
- Application** : Generally for dry indoor situation & indoor gland for plastic or rubber insulated, insulated, single wire armored, plastic or rubber over sheathed cables.



COMET CW TYPE CABLE GLANDS WITH OUTER SEAL

Materials & Finishes :

- M. O. C** : Brass
- Finish** : Natural
- Range** : 20mm to 90mm
- Ref. Standard** : BS - 6121
- Application** : Generally for dry outdoor situation gland for plastic or rubber insulated, single wire armored, Plastic or rubber sheathed cables. Cables with extruded or lapped bedding.



COMET A1 / A2 TYPE CABLE GLANDS WITH OUTER SEAL

Materials & Finishes :

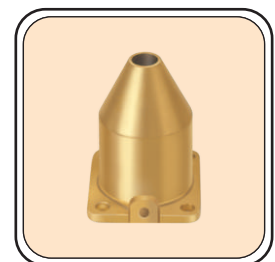
- M. O. C** : Brass
- Finish** : Natural
- Range** : 20mm to 90mm
- Ref. Standard** : BS - 6121
- Application** : Generally purpose gland for plastic or rubber insulated, unarmored plastic or rubber oversheathed cables.



COMET WIPING GLANDS

Materials & Finishes :

- M. O. C** : Brass
- Finish** : Natural
- Range** : Type X, Y & Z
- Application** : Generally used in transformers & switchgear as per customers requirement.



COMET COPPER HEAVY DUTY TERMINALS (WITH INSPECTION HOLE)

Materials & Finishes :

- M. O. C** : Copper
- Finish** : Electro - Tinned
- Range** : 1.5mm² to 1000mm²
- Application** : Generally for XLPE conductors. Manufactured in line with DIN standards.



**Single Core Aluminum / Copper Conductor ,
XLPE Insulated, Un-armoured Cables 1100 Volts**



No. of Cores	Approx. overall diameter	SINGLE COMPRESSION TYPE			DOUBLE COMPRESSION TYPE		
		Medium duty	Heavy duty	Nipple entry	Weatherproof type (CBW)	Flameproof type (CBF)	Nipple entry for W/P & F/P
1 x 4	9.5	5/8"	1619 + 1611	3/4"	CBW01SS(UN)	CBF01SS(UN)	3/4"
1 x 6	10.0	5/8"	1619 + 1611	3/4"	CBW01SS(UN)	CBF01SS(UN)	3/4"
1 x 10	11.0	5/8"	1619 + 1611	3/4"	CBW01SS(UN)	CBF01SS(UN)	3/4"
1 x 16	12.5	3/4"	1619 + 1613	3/4"	CBW01SS(UN)	CBF01SS(UN)	3/4"
1 x 25	13.0	3/4"	1619 + 1613	3/4"	CBW01SS(UN)	CBF01SS(UN)	3/4"
1 x 35	14.5	3/4"	1619 + 1615	3/4"	CBW01S(UN)	CBF01S(UN)	3/4"
1 x 50	14.5	3/4"	1619 + 1615	3/4"	CBW01S(UN)	CBF01S(UN)	1"
1 x 70	15.5	1"	2125 + 2116	1"	CBW01A(UN)	CBF01A(UN)	1"
1 x 95	16.5	1"	2125 + 2118	1"	CBW01A(UN)	CBF01A(UN)	1"
1 x 120	19.0	1. 1/8"	2125 + 2120	1"	CBW02(UN)	CBF02(UN)	1"
1 x 150	21.0	1. 1/8"	2932 + 2921	1. 1/4"	CBW03SP(UN)	CBF03SP(UN)	M28
1 x 185	23.0	1. 1/2"	2932 + 2923	1. 1/4"	CBW04A(UN)	CBF04A(UN)	1. 1/4"
1 x 225	29.0	1. 1/2"	2938 + 2929	1. 1/2"	CBW05A(UN)	CBF05A(UN)	1. 1/2"
1 x 240	29.0	1. 1/2"	2938 + 2929	1. 1/2"	CBW05A(UN)	CBF05A(UN)	1. 1/2"
1 x 300	30.0	1. 3/4"	3638 + 3631	1. 1/2"	CBW05A(UN)	CBF05A(UN)	1. 1/2"
1 x 400	33.0	1. 3/4"	4251 + 4234	2"	CBW06SP(UN)	CBF06SP(UN)	M40
1 x 500	37.0	2"	4251 + 4238	2"	CBW07SP(UN)	CBF07SP(UN)	M42
1 x 625	41.0	2. 1/4"	4251 + 4242	2"	CBW08(UN)	CBF08(UN)	2"
1 x 800	49.0	2. 1/2"	5463 + 5450	2. 1/2"	CBW010A(UN)	CBF010A(UN)	2. 1/2"
1 x 1000	55.0		6063 + 6055	2. 1/2"	CBW011S(UN)	CBF011S(UN)	2. 1/2"

For Un-Armoured Cables

**Twin Core Aluminum / Copper conductor , XLPE Insulated,
Un-armoured Cables 1100 Volts**

No. of Cores	Approx. overall diameter	SINGLE COMPRESSION TYPE			DOUBLE COMPRESSION TYPE		
		Medium duty	Heavy duty	Nipple entry	Weatherproof type (CBW)	Flameproof type (CBF)	Nipple entry for W/P & F/P
2 x 4	13.5	3/4"	1619 + 1613	3/4"	CBW01S(UN)	CBF01S(UN)	3/4"
2 x 6	14.0	3/4"	1619 + 1615	3/4"	CBW01S(UN)	CBF01S(UN)	3/4"
2 x 10	17.0	1"	2125 + 2118	1"	CBW01A(UN)	CBF01A(UN)	1"
2 x 16	18.0	1"	2125 + 2120	1"	CBW01A(UN)	CBF01A(UN)	1"
2 x 25	20.0	1"	2125 + 2120	1"	CBW02(UN)	CBF02(UN)	1"
2 x 35	21.0	1. 1/8"	2932 + 2921	1. 1/4"	CBW03SP(UN)	CBF03SP(UN)	M28
2 x 50	24.0	1. 1/4"	2932 + 2925	1. 1/4"	CBW04A(UN)	CBF04A(UN)	1. 1/4"
2 x 70	27.0	1. 1/4"	2938 + 2928	1. 1/2"	CBW05A(UN)	CBF05A(UN)	1. 1/2"
2 x 95	30.0	1. 1/2"	3638 + 3631	1. 1/2"	CBW05A(UN)	CBF05A(UN)	1. 1/2"
2 x 120	32.0	1. 1/2"	3638 + 3633	1. 1/2"	CBW06SP(UN)	CBF06SP(UN)	M40
2 x 150	35.0	1. 3/4"	4251 + 4236	2"	CBW07SP(UN)	CBF07SP(UN)	M42
2 x 185	39.0	1. 3/4"	4251 + 4240	2"	CBW08(UN)	CBF08(UN)	2"
2 x 240	41.0	2"	4251 + 4242	2"	CBW08(UN)	CBF08(UN)	2"
2 x 300	46.0	2"	5463 + 5448	2. 1/2"	CBW010A(UN)	CBF010A(UN)	2. 1/2"
2 x 400	51.0	2. 1/4"	5463 + 5450	2. 1/2"	CBW010A(UN)	CBF010A(UN)	2. 1/2"
2 x 500	57.0	2. 3/4"	6675 + 6658	3"	CBW011SP(UN)	CBF011SP(UN)	M70
2 x 630	63.0	3"	6675 + 6664	3"	CBW012(UN)	CBF012(UN)	3"

For Un-Armoured Cables

* Cable Data collected from leading manufacturers of cable. Variation in dimensions of cables is beyond our liability

Three Core Aluminum / Copper Conductor, XLPE Insulated, Un-Armoured Cables 1100 Volts



No. of Cores	Approx. overall diameter	SINGLE COMPRESSION TYPE			DOUBLE COMPRESSION TYPE		
		Medium duty	Heavy duty	Nipple entry	Weatherproof type (CBW)	Flameproof type (CBF)	Nipple entry for W/P & F/P
3 x 4	15.0	3/4"	2125 + 2116	1"	CBW01A(UN)	CBF01A(UN)	1"
3 x 6	17.0	1"	2125 + 2118	1"	CBW01A(UN)	CBF01A(UN)	1"
3 x 10	18.0	1"	2125 + 2118	1"	CBW01A(UN)	CBF01A(UN)	1"
3 x 16	18.5	1"	2125 + 2120	1"	CBW02(UN)	CBF02(UN)	1"
3 x 25	22.0	1. 1/8"	2932 + 2923	1. 1/4"	CBW03SP(UN)	CBF03SP(UN)	M28
3 x 35	23.0	1. 1/8"	2932 + 2923	1. 1/4"	CBW04A(UN)	CBF04A(UN)	1. 1/4"
3 x 50	27.0	1. 1/4"	2938 + 2927	1. 1/2"	CBW05A(UN)	CBF05A(UN)	1. 1/2"
3 x 70	30.0	1. 1/2"	3638 + 3631	1. 1/2"	CBW05A(UN)	CBF05A(UN)	1. 1/2"
3 x 95	33.0	1. 3/4"	4251 + 4234	2"	CBW06SP(UN)	CBF06SP(UN)	M40
3 x 120	36.0	1. 3/4"	4251 + 4236	2"	CBW07SP(UN)	CBF07SP(UN)	M42
3 x 150	39.0	1. 3/4"	4251 + 4240	2"	CBW08(UN)	CBF08(UN)	2"
3 x 185	44.0	2"	5451 + 5444	2"	CBW09(UN)	CBF09(UN)	2"
3 x 240	50.0	2. 1/4"	5463 + 5450	2. 1/2"	CBW010A(UN)	CBF010A(UN)	2. 1/2"
3 x 300	55.0	2. 1/2"	6063 + 6055	2. 1/2"	CBW011S(UN)	CBF011S(UN)	2. 1/2"
3 x 400	60.0	2. 3/4"	6675 + 6660	3"	CBW011SP(UN)	CBF011SP(UN)	M70
3 x 500	68.0	3"	7882 + 7868	3. 1/4"	CBW013A(UN)	CBF013A(UN)	3"
3 x 630	74.0	3. 1/4"	7882 + 7874	3. 1/4"	CBW013(UN)	CBF013(UN)	3. 1/4"

For Un-Armoured Cables

Three & Half Core Aluminum / Copper Conductor, XLPE Insulated, Un-Armoured Cables 1100 Volts

No. of Cores	Approx. overall diameter	SINGLE COMPRESSION TYPE			DOUBLE COMPRESSION TYPE		
		Medium duty	Heavy duty	Nipple entry	Weatherproof type (CBW)	Flameproof type (CBF)	Nipple entry for W/P & F/P
3.5 x25/16sm	23.5	1. 1/4"	2932 + 2925	1. 1/4"	CBW04A(UN)	CBF04A(UN)	1. 1/4"
3.5 x35/16sm	25.0	1. 1/4"	2932 + 2925	1. 1/4"	CBW04A(UN)	CBF04A(UN)	1. 1/4"
3.5 x50/25sm	28.0	1. 1/2"	2938 + 2929	1. 1/2"	CBW05A(UN)	CBF05A(UN)	1. 1/2"
3.5 x70/35sm	32.0	1. 1/2"	3638 + 3633	1. 1/2"	CBW06SP(UN)	CBF06SP(UN)	M40
3.5 x95/50sm	37.0	1. 3/4"	4251 + 4238	2"	CBW08(UN)	CBF08(UN)	2"
3.5 x120/70sm	39.0	1. 3/4"	4251 + 4240	2"	CBW08(UN)	CBF08(UN)	2"
3.5 x150/70sm	43.0	2"	5451 + 5444	2"	CBW09(UN)	CBF09(UN)	2"
3.5 x185/95sm	48.0	2. 1/4"	5463 + 5448	2. 1/2"	CBW010A(UN)	CBF010A(UN)	2. 1/2"
3.5 x240/120sm	55.0	2. 1/2"	6063 + 6055	2. 1/2"	CBW011S(UN)	CBF011S(UN)	2. 1/2"
3.5 x300/150sm	60.0	2. 3/4"	6675 + 6664	3"	CBW011SP(UN)	CBF011SP(UN)	M70
3.5 x400/185sm	66.0	3"	6675 + 6666	3"	CBW012(UN)	CBF012(UN)	3"
3.5 x500/240sm	73.0	3. 1/4"	7882 + 7874	3. 1/4"	CBW013(UN)	CBF013(UN)	3. 1/4"
3.5 x630/300sm	82.0	3. 1/2"	-	-	CBW015(UN)	CBF015(UN)	4"

For Un-Armoured Cables

* Cable Data collected from leading manufacturers of cable. Variation in dimensions of cables is beyond our liability

Four Core Aluminum / Copper Conductor, XLPE Insulated, Un-Armoured Cables 1100 Volts



No. of Cores	Approx. overall diameter	SINGLE COMPRESSION TYPE			DOUBLE COMPRESSION TYPE		
		Medium duty	Heavy duty	Nipple entry	Weatherproof type (CBW)	Flameproof type (CBF)	Nipple entry for W/P & F/P
4 x 4	16.0	1"	2125 + 2116	1"	CBW01A(UN)	CBF01A(UN)	1"
4 x 6	17.5	1"	2125 + 2118	1"	CBW01A(UN)	CBF01A(UN)	1"
4 x 10	19.0	1"	2125 + 2120	1"	CBW02(UN)	CBF02(UN)	1"
4 x 16	22.5	1. 1/8"	2932 + 2923	1. 1/4"	CBW04A(UN)	CBF04A(UN)	1. 1/4"
4 x 25	24.0	1. 1/4"	2932 + 2925	1. 1/4"	CBW04A(UN)	CBF04A(UN)	1. 1/4"
4 x 35	27.0	1. 1/4"	2938 + 2927	1. 1/2"	CBW05A(UN)	CBF05A(UN)	1. 1/2"
4 x 50	32.0	1. 1/2"	3638 + 3633	1. 1/2"	CBW06SP(UN)	CBF06SP(UN)	M40
4 x 70	33.0	1. 3/4"	4251 + 4234	2"	CBW07SP(UN)	CBF07SP(UN)	M42
4 x 95	37.0	1. 3/4"	4251 + 4238	2"	CBW08(UN)	CBF08(UN)	2"
4 x 120	42.0	2"	4251 + 4242	2"	CBW09(UN)	CBF09(UN)	2"
4 x 150	44.0	2"	5451 + 5444	2"	CBW09(UN)	CBF09(UN)	2"
4 x 185	48.0	2. 1/4"	5463 + 5448	2. 1/2"	CBW010A(UN)	CBF010A(UN)	2. 1/2"
4 x 240	58.0	2. 3/4"	6675 + 6660	3"	CBW011SP(UN)	CBF011SP(UN)	M70
4 x 300	65.0	3"	6675 + 6666	3"	CBW012(UN)	CBF012(UN)	3"
4 x 400	70.0	3. 1/4"	7882 + 7874	3. 1/4"	CBW013(UN)	CBF013(UN)	3. 1/4"

For Un-Armoured Cables

Multi Core Copper Conductor of 1.5mm² size, XLPE Insulated, Un-Armoured Cables 1100 Volts

No. of Cores	Approx. overall diameter	SINGLE COMPRESSION TYPE			DOUBLE COMPRESSION TYPE		
		Medium duty	Heavy duty	Nipple entry	Weatherproof type (CBW)	Flameproof type (CBF)	Nipple entry for W/P & F/P
2 x 1.5	11.0	5/8"	1619 + 1611	3/4"	CBW01SS(UN)	CBF01SS(UN)	3/4"
3 x 1.5	12.0	5/8"	1619 + 1613	3/4"	CBW01SS(UN)	CBF01SS(UN)	3/4"
4 x 1.5	13.0	3/4"	1619 + 1613	3/4"	CBW01SS(UN)	CBF01SS(UN)	3/4"
5 x 1.5	14.0	3/4"	1619 + 1615	3/4"	CBW01S(UN)	CBF01S(UN)	3/4"
6 x 1.5	15.0	3/4"	2125 + 2116	1"	CBW01A(UN)	CBF01A(UN)	1"
7 x 1.5	16.0	1"	2125 + 2116	1"	CBW01A(UN)	CBF01A(UN)	1"
10 x 1.5	17.0	1"	2125 + 2118	1"	CBW01A(UN)	CBF01A(UN)	1"
12 x 1.5	17.5	1"	2125 + 2118	1"	CBW01A(UN)	CBF01A(UN)	1"
14 x 1.5	18.0	1"	2125 + 2118	1"	CBW01A(UN)	CBF01A(UN)	1"
16 x 1.5	19.5	1"	2125 + 2120	1"	CBW02(UN)	CBF02(UN)	1"
19 x 1.5	21.0	1. 1/8"	2932 + 2921	1. 1/4"	CBW03SP(UN)	CBF03SP(UN)	M28
24 x 1.5	24.0	1. 1/4"	2932 + 2925	1. 1/4"	CBW04A(UN)	CBF04A(UN)	1. 1/4"
27 x 1.5	25.0	1. 1/4"	2932 + 2925	1. 1/4"	CBW04A(UN)	CBF04A(UN)	1. 1/4"
30 x 1.5	26.0	1. 1/4"	2938 + 2927	1. 1/2"	CBW04A(UN)	CBF04A(UN)	1. 1/4"
37 x 1.5	27.0	1. 1/4"	2938 + 2927	1. 1/2"	CBW05A(UN)	CBF05A(UN)	1. 1/2"
44 x 1.5	31.0	1. 1/2"	3638 + 3631	1. 1/2"	CBW06SP(UN)	CBF06SP(UN)	M40
52 x 1.5	33.0	1. 3/4"	4251 + 4234	2"	CBW06SP(UN)	CBF06SP(UN)	M40
61 x 1.5	34.0	1. 3/4"	4251 + 4234	2"	CBW07SP(UN)	CBF07SP(UN)	M42

For Un-Armoured Cables

* Cable Data collected from leading manufacturers of cable. Variation in dimensions of cables is beyond our liability

**Multi Core Copper Conductor of 2.5mm² size,
XLPE Insulated, Un-Armoured Cables 1100 Volts**



No. of Cores	Approx. overall diameter	SINGLE COMPRESSION TYPE			DOUBLE COMPRESSION TYPE		
		Medium duty	Heavy duty	Nipple entry	Weatherproof type (CBW)	Flameproof type (CBF)	Nipple entry for W/P & F/P
2 x 2.5	13.0	3/4"	1619 + 1613	3/4"	CBW01SS(UN)	CBF01SS(UN)	3/4"
3 x 2.5	13.5	3/4"	1619 + 1613	3/4"	CBW01S(UN)	CBF01S(UN)	3/4"
4 x 2.5	14.5	3/4"	1619 + 1615	3/4"	CBW01S(UN)	CBF01S(UN)	3/4"
5 x 2.5	15.5	1"	2125 + 2116	1"	CBW01A(UN)	CBF01A(UN)	1"
6 x 2.5	17.0	1"	2125 + 2118	1"	CBW01A(UN)	CBF01A(UN)	1"
7 x 2.5	17.5	1"	2125 + 2118	1"	CBW01A(UN)	CBF01A(UN)	1"
10 x 2.5	19.5	1"	2125 + 2120	1"	CBW02(UN)	CBF02(UN)	1"
12 x 2.5	20.5	1. 1/8"	2125 + 2120	1"	CBW03SP(UN)	CBF03SP(UN)	M28
14 x 2.5	22.0	1. 1/8"	2932 + 2923	1. 1/4"	CBW03SP(UN)	CBF03SP(UN)	M28
16 x 2.5	23.0	1. 1/8"	2932 + 2923	1. 1/4"	CBW04A(UN)	CBF04A(UN)	1. 1/4"
19 x 2.5	24.0	1. 1/4"	2932 + 2925	1. 1/4"	CBW04A(UN)	CBF04A(UN)	1. 1/4"
24 x 2.5	28.0	1. 1/2"	2938 + 2929	1. 1/2"	CBW05A(UN)	CBF05A(UN)	1. 1/2"
27 x 2.5	28.5	1. 1/2"	2938 + 2929	1. 1/2"	CBW05A(UN)	CBF05A(UN)	1. 1/2"
30 x 2.5	29.5	1. 1/2"	3638 + 3631	1. 1/2"	CBW05A(UN)	CBF05A(UN)	1. 1/2"
37 x 2.5	33.0	1. 3/4"	4251 + 4234	2"	CBW06SP(UN)	CBF06SP(UN)	M40
44 x 2.5	35.0	1. 3/4"	4251 + 4235	2"	CBW07SP(UN)	CBF07SP(UN)	M42
52 x 2.5	37.0	1. 3/4"	4251 + 4238	2"	CBW08(UN)	CBF08(UN)	2"

For Un-Armoured Cables

**Single Core Aluminum / Copper Conductor , XLPE Insulated,
Armoured Cables 1100 Volts**

No. of Cores	Approx. overall diameter	SINGLE COMPRESSION TYPE			DOUBLE COMPRESSION TYPE		
		Medium duty	Heavy duty	Nipple entry	Weatherproof type (CBW)	Flameproof type (CBF)	Nipple entry for W/P & F/P
1 x 4	12.0	5/8"	1619 + 1613	3/4"	CBW01SS	CBF01SS	3/4"
1 x 6	12.8	3/4"	1619 + 1613	3/4"	CBW01S	CBF01S	3/4"
1 x 10	13.8	3/4"	1619 + 1613	3/4"	CBW01S	CBF01S	3/4"
1 x 16	15.0	3/4"	1619 + 1615	3/4"	CBW01S	CBF01S	3/4"
1 x 25	16.5	7/8"	2125 + 2116	1"	CBW01S	CBF01S	3/4"
1 x 35	17.0	7/8"	2125 + 2118	1"	CBW01	CBF01	3/4"
1 x 50	18.5	1"	2125 + 2120	1"	CBW02	CBF02	1"
1 x 70	21.0	1. 1/8"	2125 + 2120	1"	CBW03	CBF03	1"
1 x 95	23.0	1. 1/8"	2932 + 2923	1. 1/4"	CBW03	CBF03	1"
1 x 120	25.0	1. 1/8"	2932 + 2925	1. 1/4"	CBW04	CBF04	1"
1 x 150	26.0	1. 1/4"	2932 + 2925	1. 1/4"	CBW04	CBF04	1"
1 x 185	29.0	1. 1/4"	2932 + 2929	1. 1/4"	CBW05	CBF05	1. 1/4"
1 x 225	31.5	1. 1/2"	3638 + 3631	1. 1/2"	CBW06	CBF06	1. 1/2"
1 x 240	32.0	1. 1/2"	3638 + 3633	1. 1/2"	CBW06	CBF06	1. 1/2"
1 x 300	34.0	1. 1/2"	3638 + 3637	1. 1/2"	CBW07	CBF07	1. 1/2"
1 x 400	37.0	1. 3/4"	3638 + 3637	1. 1/2"	CBW07	CBF07	1. 1/2"
1 x 500	43.0	2"	4251 + 4242	2"	CBW09	CBF09	2"
1 x 625	49.0	2. 1/4"	5451 + 5448	2"	CBW010	CBF010	2"
1 x 800	54.0	2. 1/4"	6063 + 6055	2. 1/2"	CBW011S	CBF011S	2. 1/2"
1 x 1000	55.0	2. 1/2"	6063 + 6055	2. 1/2"	CBW011S	CBF011S	2. 1/2"

For Armoured Cables

* Cable Data collected from leading manufacturers of cable. Variation in dimensions of cables is beyond our liability

Twin Core Aluminum / Copper Conductor, XLPE Insulated, Armoured Cables 1100 Volts



No. of Cores	Approx. overall diameter	SINGLE COMPRESSION TYPE			DOUBLE COMPRESSION TYPE		
		Medium duty	Heavy duty	Nipple entry	Weatherproof type (CBW)	Flameproof type (CBF)	Nipple entry for W/P & F/P
2 x 1.5	15.0	3/4"	1619 + 1615	3/4"	CBW01S	CBF01S	3/4"
2 x 2.5	16.0	7/8"	2125 + 2116	3/4"	CBW01S	CBF01S	3/4"
2 x 4	17.0	7/8"	2125 + 2118	1"	CBW01	CBF01	3/4"
2 x 6	18.0	1"	2125 + 2118	1"	CBW01	CBF01	3/4"
2 x 10	20.0	1"	2125 + 2120	1"	CBW02	CBF02	1"
2 x 16	22.0	1. 1/8"	2932 + 2923	1. 1/4"	CBW03	CBF03	1"
2 x 25	22.5	1. 1/8"	2932 + 2923	1. 1/4"	CBW03	CBF03	1"
2 x 35	25.0	1. 1/8"	2932 + 2925	1. 1/4"	CBW04	CBF04	1"
2 x 50	29.0	1. 1/4"	2932 + 2929	1. 1/4"	CBW05	CBF05	1. 1/4"
2 x 70	30.0	1. 3/8"	3638 + 3631	1. 1/2"	CBW05	CBF05	1. 1/4"
2 x 95	32.0	1. 1/2"	3638 + 3633	1. 1/2"	CBW06	CBF06	1. 1/2"
2 x 120	33.0	1. 1/2"	3638 + 3633	1. 1/2"	CBW06	CBF06	1. 1/2"
2 x 150	37.0	1. 3/4"	3638 + 3637	1. 1/2"	CBW07	CBF07	1. 1/2"
2 x 185	40.0	1. 3/4"	4251 + 4240	2"	CBW08	CBF08	2"
2 x 240	44.0	2"	5451 + 5444	2"	CBW09	CBF09	2"
2 x 300	50.0	2. 1/4"	5451 + 5450	2"	CBW010	CBF010	2"
2 x 400	54.0	2. 1/4"	6063 + 6055	2. 1/2"	CBW011S	CBF011S	2. 1/2"

For Armoured Cables

Three Core Aluminum / Copper Conductor , XLPE Insulated, Armoured Cables 1100 Volts

No. of Cores	Approx. overall diameter	SINGLE COMPRESSION TYPE			DOUBLE COMPRESSION TYPE		
		Medium duty	Heavy duty	Nipple entry	Weatherproof type (CBW)	Flameproof type (CBF)	Nipple entry for W/P & F/P
3 x 1.5	15.0	3/4"	1619 + 1615	3/4"	CBW01S	CBF01S	3/4"
3 x 2.5	15.5	7/8"	2125 + 2116	1"	CBW01S	CBF01S	3/4"
3 x 4	18.0	1"	2125 + 2118	1"	CBW01	CBF01	3/4"
3 x 6	19.5	1"	2125 + 2120	1"	CBW02	CBF02	1"
3 x 10	20.0	1"	2125 + 2120	1"	CBW02	CBF02	1"
3 x 16	22.0	1. 1/8"	2932 + 2923	1. 1/4"	CBW03	CBF03	1"
3 x 25	23.0	1. 1/8"	2932 + 2923	1. 1/4"	CBW03	CBF03	1"
3 x 35	25.0	1. 1/8"	2932 + 2925	1. 1/4"	CBW04	CBF04	1"
3 x 50	29.0	1. 1/4"	2932 + 2929	1. 1/4"	CBW05	CBF05	1. 1/4"
3 x 70	33.0	1. 1/2"	3638 + 3633	1. 1/2"	CBW06	CBF06	1. 1/2"
3 x 95	37.0	1. 1/2"	3638 + 3637	1. 1/2"	CBW07	CBF07	1. 1/2"
3 x 120	40.0	1. 3/4"	4251 + 4240	2"	CBW08	CBF08	2"
3 x 150	41.0	1. 3/4"	4251 + 4242	2"	CBW08	CBF08	2"
3 x 185	49.0	2. 1/4"	5451 + 5450	2"	CBW010	CBF010	2"
3 x 225	54.0	2. 1/4"	6063 + 6055	2. 1/2"	CBW011S	CBF011S	2. 1/2"
3 x 240	54.0	2. 1/4"	6063 + 6055	2. 1/2"	CBW011S	CBF011S	2. 1/2"
3 x 300	59.0	2. 1/2"	6063 + 6060	3"	CBW011	CBF011	2. 1/2"
3 x 400	65.0	2. 3/4"	6675 + 6666	3"	CBW012	CBF012	3"

For Armoured Cables

* Cable Data collected from leading manufacturers of cable. Variation in dimensions of cables is beyond our liability

Three & Half Core Aluminum / Copper Conductor, XLPE Insulated, Armoured Cables 1100 Volts



No. of Cores	Approx. overall diameter	SINGLE COMPRESSION TYPE			DOUBLE COMPRESSION TYPE		
		Medium duty	Heavy duty	Nipple entry	Weatherproof type (CBW)	Flameproof type (CBF)	Nipple entry for W/P & F/P
3.5 x 25/16sm	26.0	1. 1/4"	2932 + 2925	1. 1/4"	CBW04	CBF04	1"
3.5 x 35/16sm	28.5	1. 1/4"	2932 + 2929	1. 1/4"	CBW05	CBF05	1. 1/4"
3.5 x 50/25sm	32.0	1. 1/2"	3638 + 3633	1. 1/2"	CBW06	CBF06	1. 1/2"
3.5 x 70/35sm	35.0	1. 1/2"	3638 + 3635	1. 1/2"	CBW07	CBF07	1. 1/2"
3.5 x 95/50sm	40.0	1. 3/4"	4251 + 4240	2"	CBW08	CBF08	2"
3.5 x 120/70sm	43.0	2"	4251 + 4242	2"	CBW09	CBF09	2"
3.5 x 150/70sm	46.0	2"	5451 + 5446	2"	CBW09	CBF09	2"
3.5 x 185/95sm	50.0	2. 1/4"	5463 + 5450	2. 1/2"	CBW010	CBF010	2"
3.5 x 225/120sm	58.0	2. 1/2"	6063 + 6058	2. 1/2"	CBW011	CBF011	2. 1/2"
3.5 x 240/120sm	59.0	2. 1/2"	6063 + 6060	2. 1/2"	CBW011	CBF011	2. 1/2"
3.5 x 300/150sm	64.0	2. 3/4"	6675 + 6664	3"	CBW012	CBF012	3"
3.5 x 400/185sm	72.0	3. 1/4"	7882 + 7872	3. 1/4"	CBW013A	CBF013A	3"

For Armoured Cables

Four Core Aluminum / Copper Conductor , XLPE Insulated, Armoured Cables 1100 Volts

No. of Cores	Approx. overall diameter	SINGLE COMPRESSION TYPE			DOUBLE COMPRESSION TYPE		
		Medium duty	Heavy duty	Nipple entry	Weatherproof type (CBW)	Flameproof type (CBF)	Nipple entry for W/P & F/P
4 x 1.5	16.5	7/8"	2125 + 2115	1"	CBW01S	CBF01S	3/4"
4 x 2.5	17.0	7/8"	2125 + 2118	1"	CBW01	CBF01	3/4"
4 x 4	19.5	1"	2125 + 2120	1"	CBW02	CBF02	1"
4 x 6	19.5	1"	2125 + 2120	1"	CBW02	CBF02	1"
4 x 10	21.5	1. 1/8"	2932 + 2923	1. 1/4"	CBW03	CBF03	1"
4 x 16	25.5	1. 1/8"	2932 + 2925	1. 1/4"	CBW04	CBF04	1"
4 x 25	26.0	1. 1/4"	2932 + 2925	1. 1/4"	CBW04	CBF04	1"
4 x 35	28.5	1. 1/4"	2932 + 2929	1. 1/4"	CBW05	CBF05	1. 1/4"
4 x 50	32.0	1. 1/2"	3638 + 3633	1. 1/2"	CBW06	CBF06	1. 1/2"
4 x 70	35.0	1. 1/2"	3638 + 3635	1. 1/2"	CBW07	CBF07	1. 1/2"
4 x 95	38.0	1. 3/4"	4251 + 4238	2"	CBW08	CBF08	2"
4 x 120	41.0	2"	4251 + 4242	2"	CBW08	CBF08	2"
4 x 150	46.0	2"	5451 + 5446	2"	CBW09	CBF09	2"
4 x 185	52.0	2. 1/4"	6063 + 6053	2. 1/2"	CBW010	CBF010	2"
4 x 240	59.0	2. 1/2"	6063 + 6060	2. 1/2"	CBW011	CBF011	2. 1/2"
4 x 300	65.0	2. 3/4"	6675 + 6666	3"	CBW012	CBF012	3"
4 x 400	72.0	3. 1/4"	7882 + 7872	3. 1/4"	CBW013A	CBF013A	3"

For Armoured Cables

* Cable Data collected from leading manufacturers of cable. Variation in dimensions of cables is beyond our liability

Multi Core Copper Conductor of 1.5mm² size, XLPE Insulated, Armoured Cables 1100 Volts



No. of Cores	Approx. overall diameter	SINGLE COMPRESSION TYPE			DOUBLE COMPRESSION TYPE		
		Medium duty	Heavy duty	Nipple entry	Weatherproof type (CBW)	Flameproof type (CBF)	Nipple entry for W/P & F/P
2 x 1.5	14.0	3/4"	1619 + 1615	3/4"	CBW01S	CBF01S	3/4"
3 x 1.5	15.0	3/4"	1619 + 1615	3/4"	CBW01S	CBF01S	3/4"
4 x 1.5	16.5	7/8"	2125 + 2118	1"	CBW01S	CBF01S	3/4"
5 x 1.5	17.0	7/8"	2125 + 2118	1"	CBW01	CBF01	3/4"
6 x 1.5	17.5	1"	2125 + 2118	1"	CBW01	CBF01	3/4"
7 x 1.5	17.5	1"	2125 + 2118	1"	CBW01	CBF01	3/4"
10 x 1.5	20.0	1"	2125 + 2120	1"	CBW02	CBF02	1"
12 x 1.5	20.5	1"	2125 + 2120	1"	CBW02	CBF02	1"
14 x 1.5	20.5	1"	2125 + 2120	1"	CBW02	CBF02	1"
16 x 1.5	21.5	1. 1/8"	2932 + 2923	1. 1/4"	CBW03	CBF03	1"
19 x 1.5	22.5	1. 1/8"	2932 + 2923	1. 1/4"	CBW03	CBF03	1"
24 x 1.5	25.5	1. 1/4"	2932 + 2925	1. 1/4"	CBW04	CBF04	1"
27 x 1.5	26.0	1. 1/8"	2932 + 2927	1. 1/4"	CBW04	CBF04	1"
30 x 1.5	27.0	1. 1/4"	2932 + 2927	1. 1/4"	CBW05	CBF05	1. 1/4"
37 x 1.5	29.0	1. 1/4"	2938 + 2929	1. 1/2"	CBW05	CBF05	1. 1/4"
44 x 1.5	31.0	1. 3/8"	3638 + 3631	1. 1/2"	CBW06	CBF06	1. 1/2"
52 x 1.5	32.0	1. 1/2"	3638 + 3633	1. 1/2"	CBW06	CBF06	1. 1/2"
61 x 1.5	34.0	1. 1/2"	3638 + 3635	1. 1/2"	CBW07	CBF07	1. 1/2"

For Armoured Cables

Multi Core Copper Conductor , of 2.5mm² size, XLPE Insulated, Armoured Cables 1100 Volts

No. of Cores	Approx. overall diameter	SINGLE COMPRESSION TYPE			DOUBLE COMPRESSION TYPE		
		Medium duty	Heavy duty	Nipple entry	Weatherproof type (CBW)	Flameproof type (CBF)	Nipple entry for W/P & F/P
2 x 2.5	15.0	3/4"	1619 + 1615	3/4"	CBW01S	CBF01S	3/4"
3 x 2.5	15.5	7/8"	2125 + 2116	1"	CBW01S	CBF01S	3/4"
4 x 2.5	17.0	7/8"	2125 + 2118	1"	CBW01	CBF01	3/4"
5 x 2.5	19.0	1"	2125 + 2120	1"	CBW02	CBF02	1"
6 x 2.5	20.0	1"	2125 + 2120	1"	CBW02	CBF02	1"
7 x 2.5	20.0	1"	2125 + 2120	1"	CBW02	CBF02	1"
10 x 2.5	21.0	1. 1/8"	2125 + 2120	1"	CBW03	CBF03	1"
12 x 2.5	22.0	1. 1/8"	2932 + 2923	1. 1/4"	CBW03	CBF03	1"
14 x 2.5	23.5	1. 1/8"	2932 + 2923	1. 1/4"	CBW04	CBF04	1"
16 x 2.5	24.5	1. 1/8"	2932 + 2925	1. 1/4"	CBW04	CBF04	1"
19 x 2.5	25.5	1. 1/8"	2932 + 2925	1. 1/4"	CBW04	CBF04	1"
24 x 2.5	29.0	1. 1/4"	2932 + 2929	1. 1/4"	CBW05	CBF05	1. 1/4"
27 x 2.5	30.0	1. 3/8"	3638 + 3630	1. 1/2"	CBW05	CBF05	1. 1/4"
30 x 2.5	32.0	1. 1/2"	3638 + 3633	1. 1/2"	CBW06	CBF06	1. 1/2"
37 x 2.5	34.0	1. 3/8"	3638 + 3635	1. 1/2"	CBW07	CBF07	1. 1/2"
44 x 2.5	38.0	1. 1/2"	4251 + 4238	2"	CBW08	CBF08	2"
52 x 2.5	39.0	1. 3/4"	4251 + 4240	2"	CBW08	CBF08	2"
61 x 2.5	41.0	2"	4251 + 4242	2"	CBW08	CBF08	2"

For Armoured Cables

* Cable Data collected from leading manufacturers of cable. Variation in dimensions of cables is beyond our liability

Selection of Cable Gland on the Basis of Cable Overall Diameter



For Double Compression Type Cable Gland (W/P & F/P) for Armoured Cables

Cable O. D. (mm) From To	Weatherproof type (CBW)	Flameproof type (CBF)	Entry Thread (ET)	Nipple entry for W/P & F/P
8.0 - 13.0	CBW01SS	CBF01SS	3/4"	21.0
13.5 - 16.0	CBW01S	CBF01S	3/4"	21.0
16.5 - 18.0	CBW01	CBF01	3/4"	21.0
16.5 - 18.0	CBW01A	CBF01A	1"	26.5
18.5 - 20.0	CBW02	CBF01A	1"	26.5
18.5 - 20.0	CBW02A	CBF02	3/4"	21.0
20.5 - 23.0	CBW03	CBF02A	1"	26.5
23.5 - 26.0	CBW04	CBF03	1"	26.5
23.5 - 26.0	CBW04A	CBF04	1. 1/4"	34.0
26.5 - 30.0	CBW05	CBF04A	1. 1/4"	34.0
26.5 - 30.0	CBW05A	CBF05	1. 1/2"	39.0
30.5 - 33.0	CBW06	CBF05A	1. 1/2"	39.0
30.5 - 33.0	CBW06A	CBF06	1. 1/4"	34.0
33.5 - 37.0	CBW07	CBF06A	1. 1/2"	39.0
37.5 - 41.0	CBW08	CBF07	2"	52.0
41.5 - 46.0	CBW09	CBF08	2"	52.0
46.5 - 52.0	CBW010	CBF09	2"	52.0
46.5 - 52.0	CBW10A	CBF010	2. 1/2"	65.5
52.5 - 56.0	CBW011S	CBF011S	2. 1/2"	65.5
56.5 - 60.0	CBW011	CBF011	2. 1/2"	65.5
60.5 - 66.0	CBW012	CBF012	3"	78.0
66.5 - 72.0	CBW013A	CBF013A	3"	78.0
72.5 - 78.0	CBW013	CBF013	3. 1/4"	85.0
78.5 - 84.0	CBW014	CBF014	3. 1/2"	91.0
84.5 - 92.0	CBW015	CBF015	4"	103.0
92.5 - 104.0	CBW016	CBF016	4. 1/2"	116.0

For Double Compression Type Cable Gland (W/P & F/P) for Un-Armoured Cables

5.0 - 13.0	CBW01SS(UN)	CBF01SS(UN)	3/4"	21.0
13.5 - 14.5	CBW01S(UN)	CBF01S(UN)	3/4"	21.0
14.5 - 18.0	CBW01A(UN)	CBF01A(UN)	1"	26.5
18.5 - 20.0	CBW02(UN)	CBF02(UN)	1"	26.5
20.5 - 22.0	CBW03SP(UN)	CBF03SP(UN)	M28	29.5
22.5 - 26.0	CBW04A(UN)	CBF04A(UN)	1. 1/4"	34.0
26.5 - 30.0	CBW05A(UN)	CBF05A(UN)	1. 1/2"	39.0
30.5 - 33.0	CBW06SP(UN)	CBF06SP(UN)	M40	41.5
33.5 - 36.0	CBW07SP(UN)	CBF07SP(UN)	M42	43.5
36.5 - 41.0	CBW08(UN)	CBF08(UN)	2"	52.0
41.5 - 44.0	CBW09(UN)	CBF09(UN)	2"	52.0
44.5 - 52.0	CBW010A(UN)	CBF010A(UN)	2. 1/2"	65.5
52.5 - 60.0	CBW011SP(UN)	CBF011SP(UN)	M70	72.0
60.5 - 66.0	CBW012(UN)	CBF012(UN)	3"	78.0
66.5 - 75.0	CBW013(UN)	CBF013(UN)	3. 1/4"	85.0
75.5 - 80.0	CBW014(UN)	CBF014(UN)	3. 1/2"	91.0
81.0 - 88.0	CBW015(UN)	CBF015(UN)	4"	103.0

Selection of Cable Gland on the Basis of Cable Overall Diameter



For Single Compression Heavy Duty Type Cable Gland for Armoured Cables

Cable O. D. (mm) From To	Comet Code	Entry Thread (ET)	Panel Hole Dia. (mm)	Equivalent SCG Code
10.0 - 15.0	1616	5/8"	18.0	SCG2
10.0 - 15.0	1619	3/4"	21.0	SCG3
15.5 - 20.0	2125	1"	26.5	SCG4
15.5 - 20.0	2119	3/4"	21.0	SCG5
20.5 - 29.0	2925	1"	26.5	SCG6
20.5 - 29.0	2932	1.1/4"	34.0	SCG7
20.5 - 29.0	2938	1.1/2"	39.0	SCG8
29.5 - 37.0	3638	1.1/2"	39.0	SCG9
38.0 - 42.0	4251	2"	52.0	SCG10
42.5 - 50.0	5451	2"	52.0	SCG11
42.5 - 50.0	5463	2.1/2"	65.5	SCG12
51.0 - 60.0	6063	2.1/2"	65.5	SCG13
61.0 - 66.0	6675	3"	78.0	SCG14
67.0 - 78.0	7882	3.1/4"	85.0	SCG16

For Single Compression Heavy Duty Type Cable Gland for Un-Armoured Cables

Cable O. D. (mm) From To	Comet Code	Entry Thread (ET)	Panel Hole Dia. (mm)
8.0 - 14.0	1619	3/4"	21.0
14.5 - 20.0	2125	1"	26.5
20.5 - 26.0	2932	1.1/4"	34.0
26.5 - 29.0	2938	1.1/2"	39.0
29.5 - 32.0	3638	1.1/2"	39.0
32.5 - 42.0	4251	2"	52.0
42.5 - 45.0	5451	2"	52.0
45.5 - 50.0	5463	2.1/2"	65.5
50.5 - 56.0	6063	2.1/2"	65.5
56.5 - 66.0	6675	3"	78.0
66.5 - 75.0	7882	3.1/4"	85.0

Selection of Cable Gland on the Basis of Cable Overall Diameter



For Single Compression Medium Duty Type Cable Gland for Armoured Cables

Cable O. D. (mm) From To	Size (mm)	Comet Code
8.0 - 12.0	12 MM	1/2"
8.0 - 12.0	16 MM	5/8"
12.5 - 15.0	19 MM	3/4"
15.5 - 17.0	22 MM	7/8"
17.5 - 20.0	25 MM	1"
20.5 - 25.0	28 MM	1.1/8"
25.5 - 29.0	32 MM	1.1/4"
29.5 - 31.0	35 MM	1.3/8"
31.5 - 36.0	38 MM	1.1/2"
36.5 - 41.0	45 MM	1.3/4"
41.5 - 46.0	50 MM	2"
46.5 - 54.0	57 MM	2.1/4"
54.5 - 60.0	63 MM	2.1/2"
60.5 - 66.0	70 MM	2.3/4"
66.5 - 69.0	75 MM	3"
69.5 - 75.0	82 MM	3.1/4"
75.5 - 81.0	88 MM	3.1/2"
81.5 - 94.0	100 MM	4"

Selection of Thread Size for Cable Gland on the Basis of Cable Overall Diameter

For Double Compression Type Cable Gland (W/P & F/P)

Cable O. D. (mm) From To	Gland Size	Standard BSC Thread (ET)	Special Alternative Threads made To order	
			NPT	ISO
8.0 - 13.0	01SS	3/4"	1/2" or 3/4"	M16 / M20 / M25
13.5 - 16.0	01S	3/4"	1/2" or 3/4"	M16 / M20 / M25
16.5 - 18.0	01	3/4"	1/2" or 3/4"	M20 / M25
18.5 - 20.0	02	1"	3/4" or 1"	M20 / M25
20.5 - 23.0	03	1"	3/4" or 1"	M25
23.5 - 26.0	04	1"	1" or 1.1/4"	M25 / M32
26.5 - 30.0	05	1.1/4"	1" or 1.1/4"	M32 / M40
30.5 - 33.0	06	1.1/2"	1.1/4" or 1.1/2"	M32 / M40
33.5 - 37.0	07	1.1/2"	1.1/4" or 1.1/2"	M40
37.5 - 41.0	08	2"	1.1/2" or 2"	M50
41.5 - 46.0	09	2"	1.1/2" or 2"	M50
46.5 - 52.0	010	2"	2" or 2.1/2"	M50 / M63
52.5 - 60.0	011	2.1/2"	2" or 2.1/2"	M63
60.5 - 66.0	012	3"	2.1/2" or 3"	M75
72.5 - 78.0	013	3.1/4"	3" or 3.1/2"	M82
78.5 - 84.0	014	3.1/2"		M90
84.5 - 92.0	015	4"		
92.5 - 104.0	016	4.1/2"		



DELHI METRO RAIL CORPORATION LTD.



NUCLEAR POWER CORPORATION OF INDIA LIMITED (A Govt. of India Enterprise)



BHUSHAN



AND MANY MORE



GE Power Controls

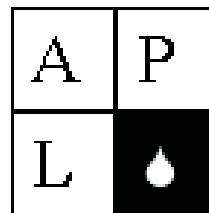


ADANI

Neyveli Lignite Corporation Limited



Honeywell



AND MANY MORE



An uninterrupted relationship Since 1960

CABLE TERMINALS



Approved by leading consultants such as :

- National Thermal Power Corpn. Ltd. • Engineers India Ltd.
- Power Grid Corpn. Of India Ltd. • Tata Consultancy Services
- Nuclear Power Corpn. Ltd. • Jacob H & G Pvt. Ltd.
- Mecon Ltd. • M. N. Dastur & Co. Ltd. • UDHE India Ltd.
- Toyo Engineering Ltd. • Projects & Development India Ltd.
- Kvaerner Powergas India Ltd. • DCPL Ltd.
- Desein Pvt. Ltd. • Bechtel London
- Chemtex Global Engineering Pvt. Ltd.
- Dalal Consultants & Engineers Ltd. • KSHI
- Avant - Garde Engineers • Maunsel • Jhohn Brown
and many more.....

The prestigious end-users

- Larsen & Turbo Ltd. • Siemens Ltd. • BHEL • Reliance Group of Industries Ltd.
- ABB Ltd. • ACC • Ambuja • Aditya Birla Group of Industries
- ONGC • IOCL • HPCL • BPCL • SAIL • Vizag Steel • ISRO • Vedanta
- Thyssenkrupp • Tata Project • DMRC • ECIL • Punj Llyod • Areva T & D
- Technimot ICB Pvt. Ltd. • Jaypee Group of Industries • Godrej
- Bajaj Group Of Industries • Mahatranso • BSES • Essar Group Of Industries
- Adani Group Of Industries • Raychem RPG Ltd. • Reliance Infrastructure
- Jindal • Gail • Honeywell • Bharat Bijlee • Bhushan Power & Steel • Lanco
- Praj • Ador • Hindustan Zinc • Gmr • Neyveli Lignite and many more.....



Insist For This
Hologram Security Seal
For The Genuineness Of Our Product

Registered Office : **COMET BRASS PRODUCT**



Nutan Chemical Compound, Walbhat Road.,
Goregaon (E), Mumbai - 400 063. INDIA.
Tel. : +91-22-2685 2961 / 62 / 63
Fax : + 91-22-2685 2960.
E-mail : comet@cometgland.com
Website : www.cometgland.com